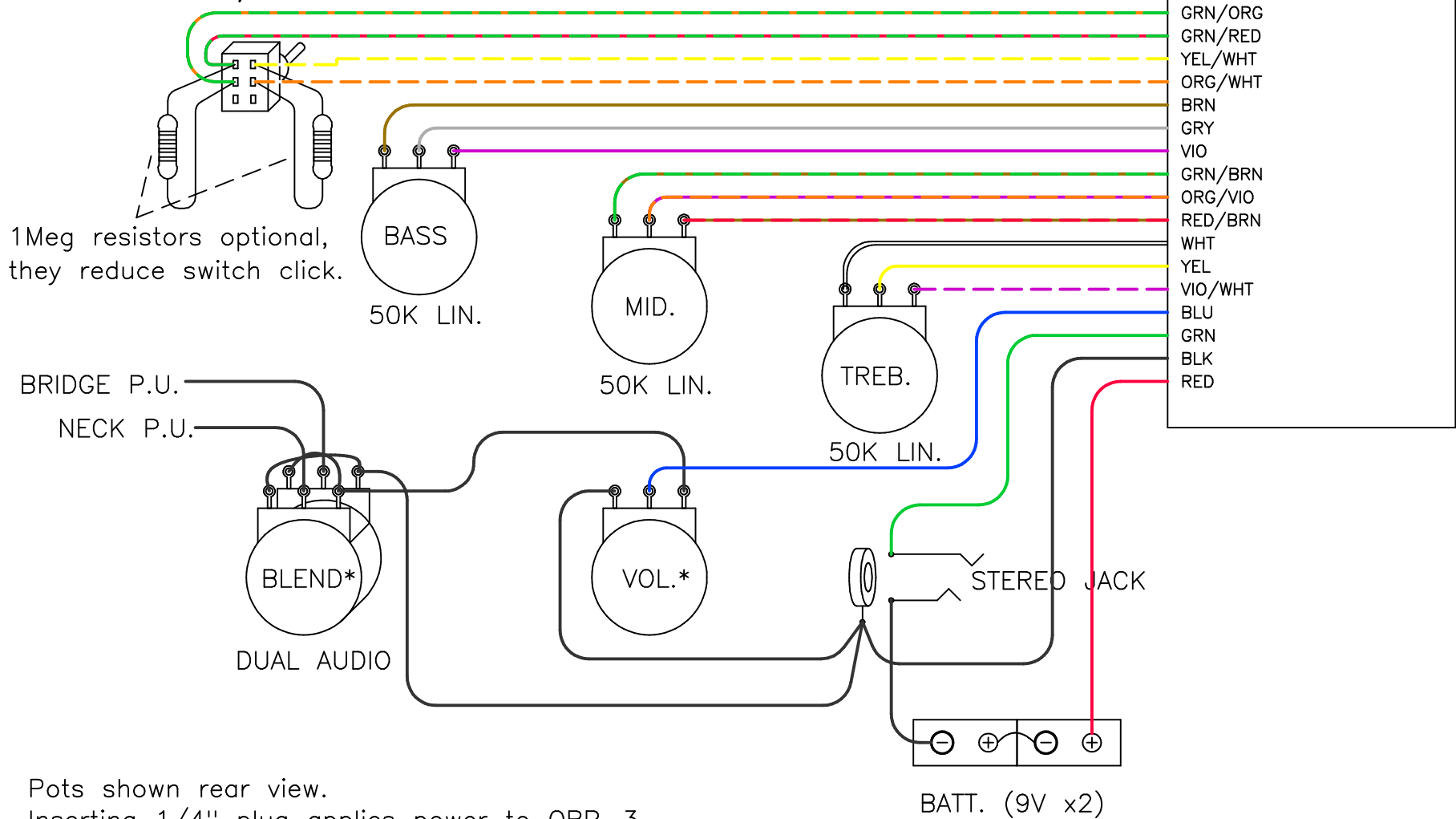


AGUILAR OBP-3 WIRING DIAGRAM WITH BLEND AND VOLUME CONTROL

MID. SELECT
Switch closed = 400 Hz
Switch open = 800 Hz
DPDT, ON-ON

OBP-3 MODULE



Pots shown rear view.

Inserting 1/4" plug applies power to OBP-3.

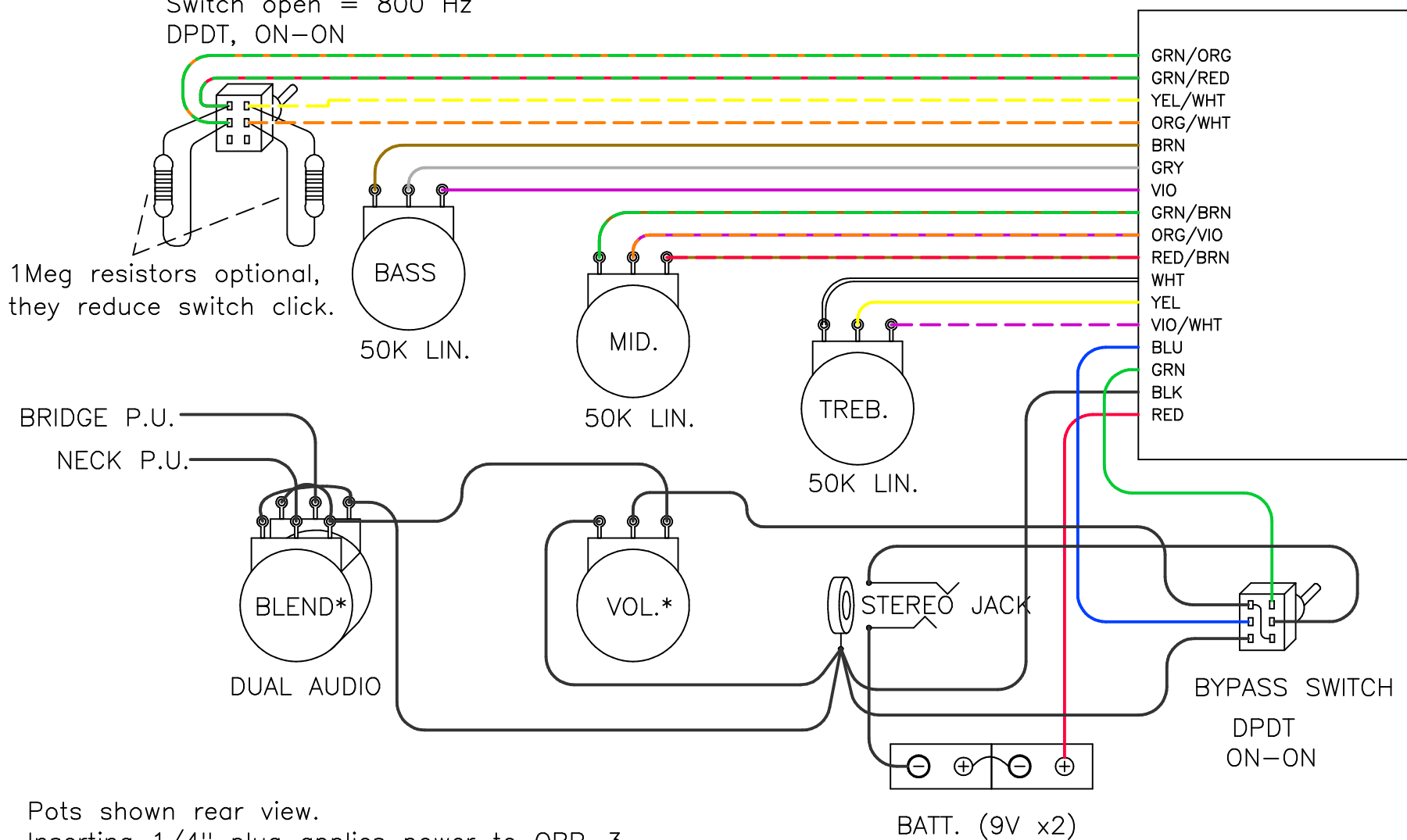
*Value depends on pickups. Use values recommended by pickup manufacturer.

For single pickup, eliminate blend pot – wire pickup directly to volume pot.

AGUILAR OBP-3 WIRING DIAGRAM WITH BLEND, VOLUME CONTROL, AND BYPASS SWITCH

MID. SELECT
Switch closed = 400 Hz
Switch open = 800 Hz
DPDT, ON-ON

OBP-3 MODULE



1Meg resistors optional,
they reduce switch click.

BRIDGE P.U.
NECK P.U.

BLEND*
DUAL AUDIO

MID.
50K LIN.

TREB.
50K LIN.

STEREO JACK

BYPASS SWITCH
DPDT
ON-ON

BATT. (9V x2)

Pots shown rear view.

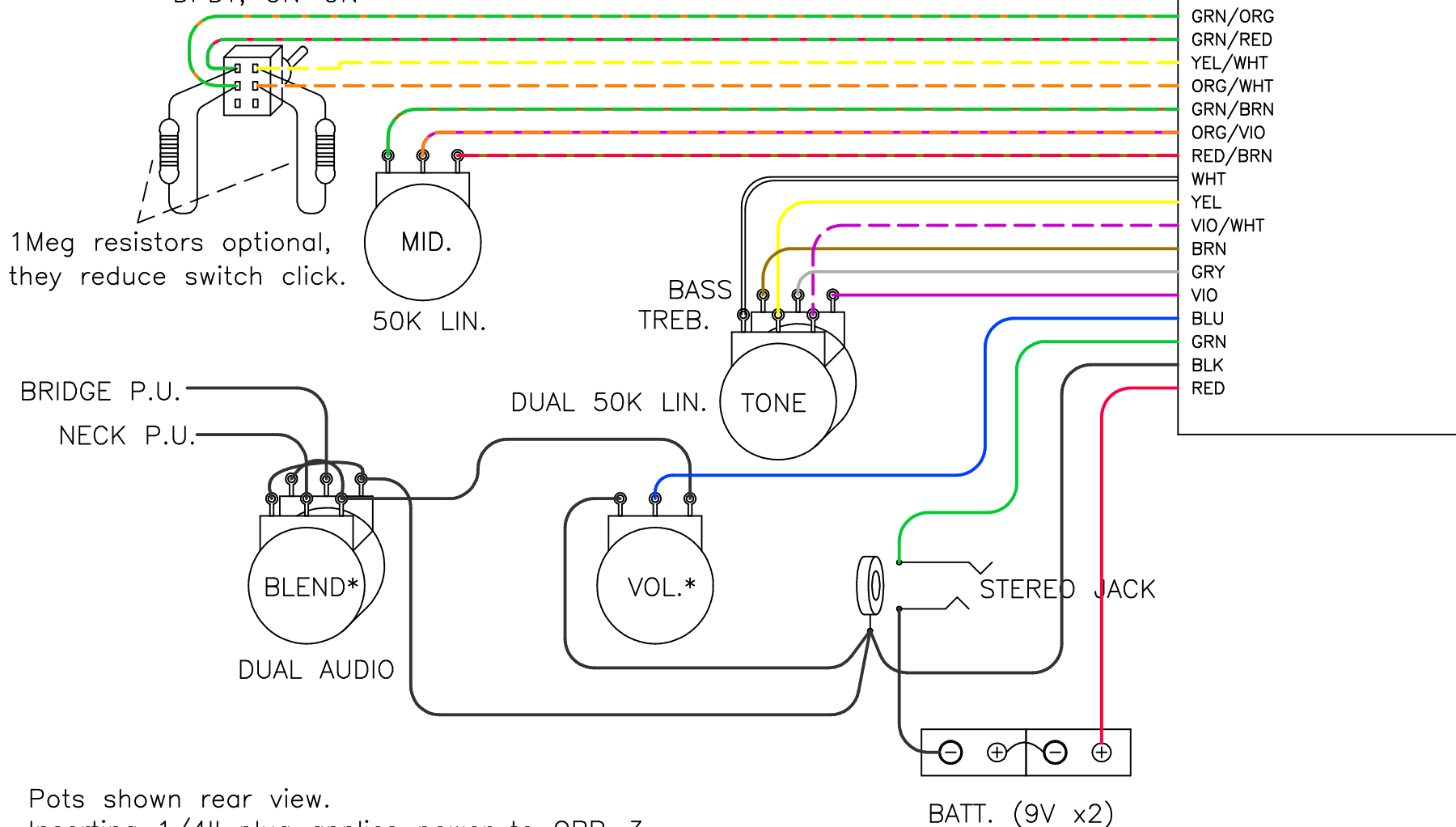
Inserting 1/4" plug applies power to OBP-3.

*Value depends on pickups. Use values recommended by pickup manufacturer.
For single pickup, eliminate blend pot – wire pickup directly to volume pot.

AGUILAR OBP-3 WIRING DIAGRAM WITH BLEND, VOLUME CONTROL, AND STACKED TONE POT

MID. SELECT
Switch closed = 400 Hz
Switch open = 800 Hz
DPDT, ON-ON

OBP-3 MODULE



Pots shown rear view.

Inserting 1/4" plug applies power to OBP-3.

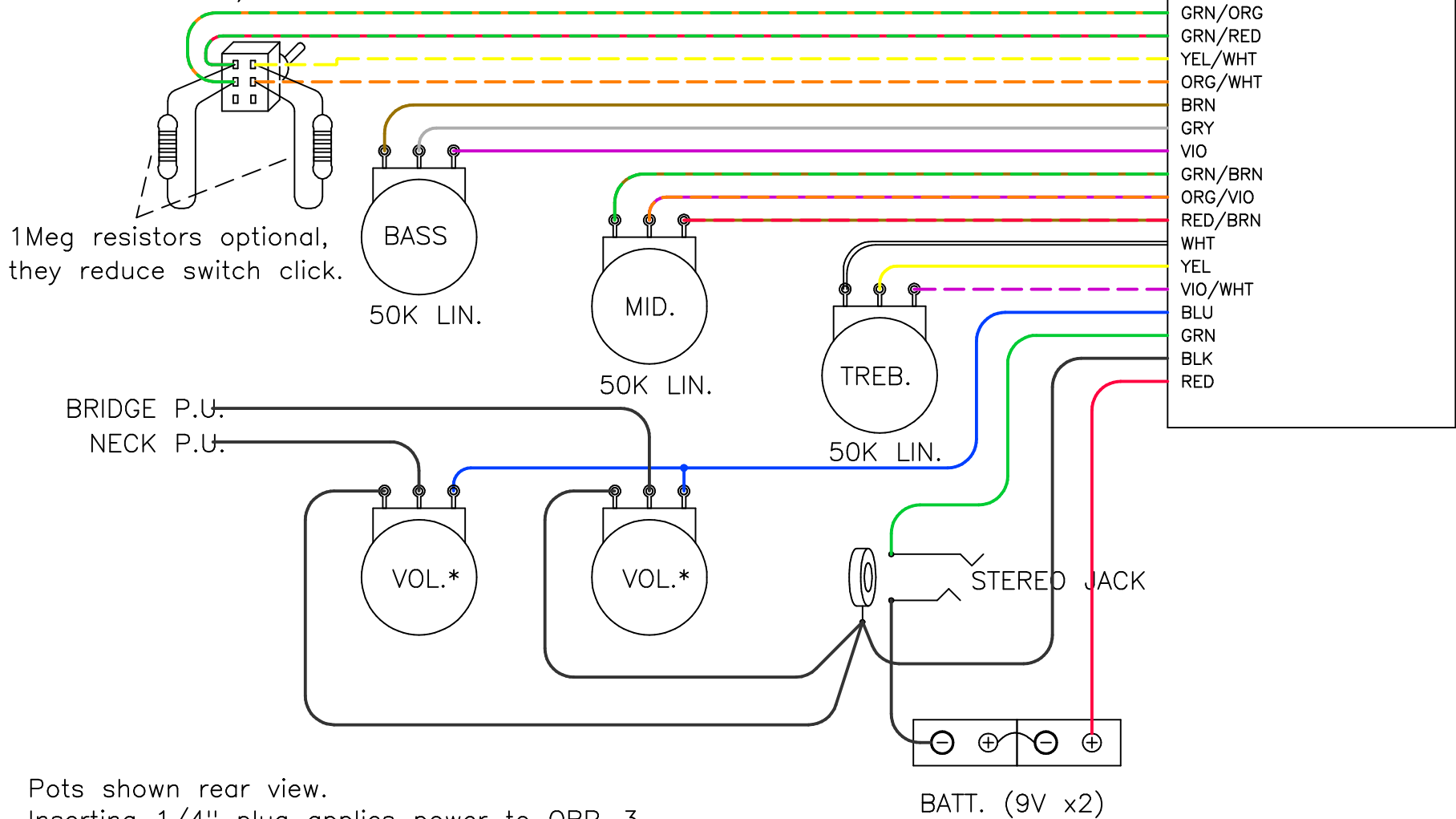
*Value depends on pickups. Use values recommended by pickup manufacturer.

For single pickup, eliminate blend pot - wire pickup directly to volume pot.

AGUILAR OBP-3 WIRING DIAGRAM WITH TWO VOLUME CONTROLS

MID. SELECT
Switch closed = 400 Hz
Switch open = 800 Hz
DPDT, ON-ON

OBP-3 MODULE

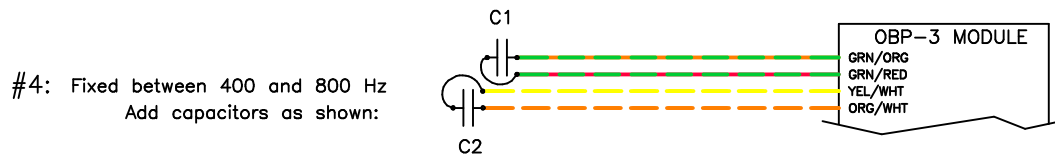
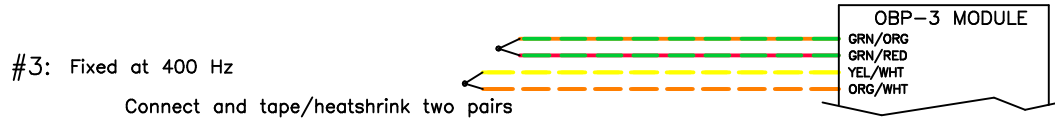
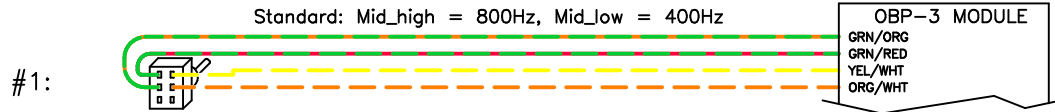


Pots shown rear view.

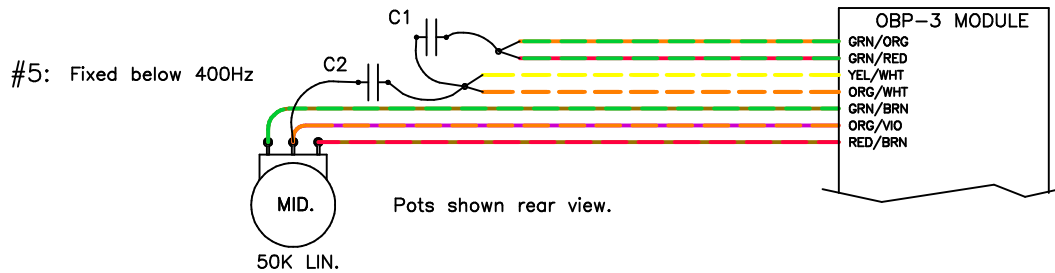
Inserting 1/4" plug applies power to OBP-3.

*Value depends on pickups. Use values recommended by pickup manufacturer.

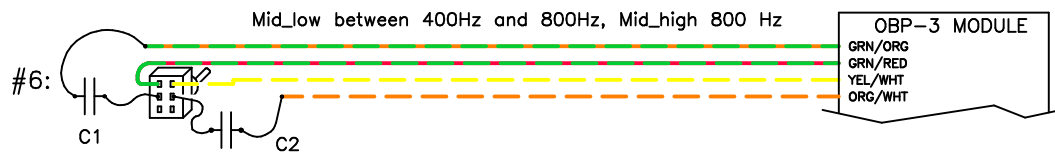
AGUILAR OBP-3 WIRING DIAGRAM MIDRANGE OPTIONS



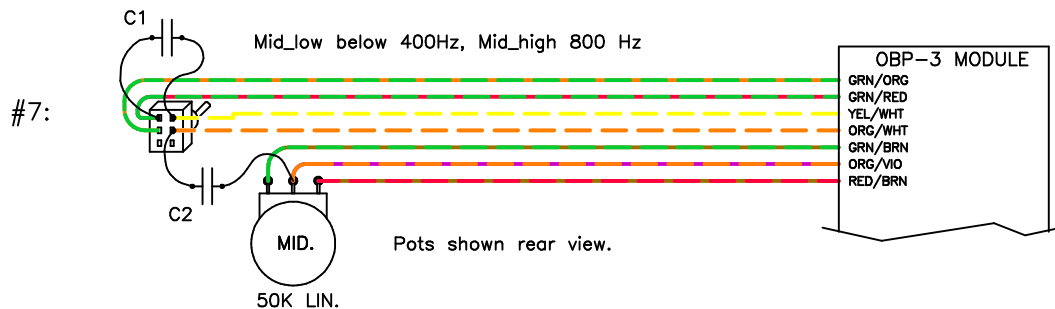
freq.(Hz)	C1(uF)	C2(uF)
450	.008	.270
500	.003	.127
550	.0016	.072
600	.0011	.043



freq.(Hz)	C1(uF)	C2(uF)
200	.004	.190
250	.0024	.112
300	.0013	.060
350	.0006	.023



freq.(Hz)	C1(uF)	C2(uF)
450	.008	.270
500	.003	.127
550	.0016	.072
600	.0011	.043



freq.(Hz)	C1(uF)	C2(uF)
200	.004	.190
250	.0024	.112
300	.0013	.060
350	.0006	.023

