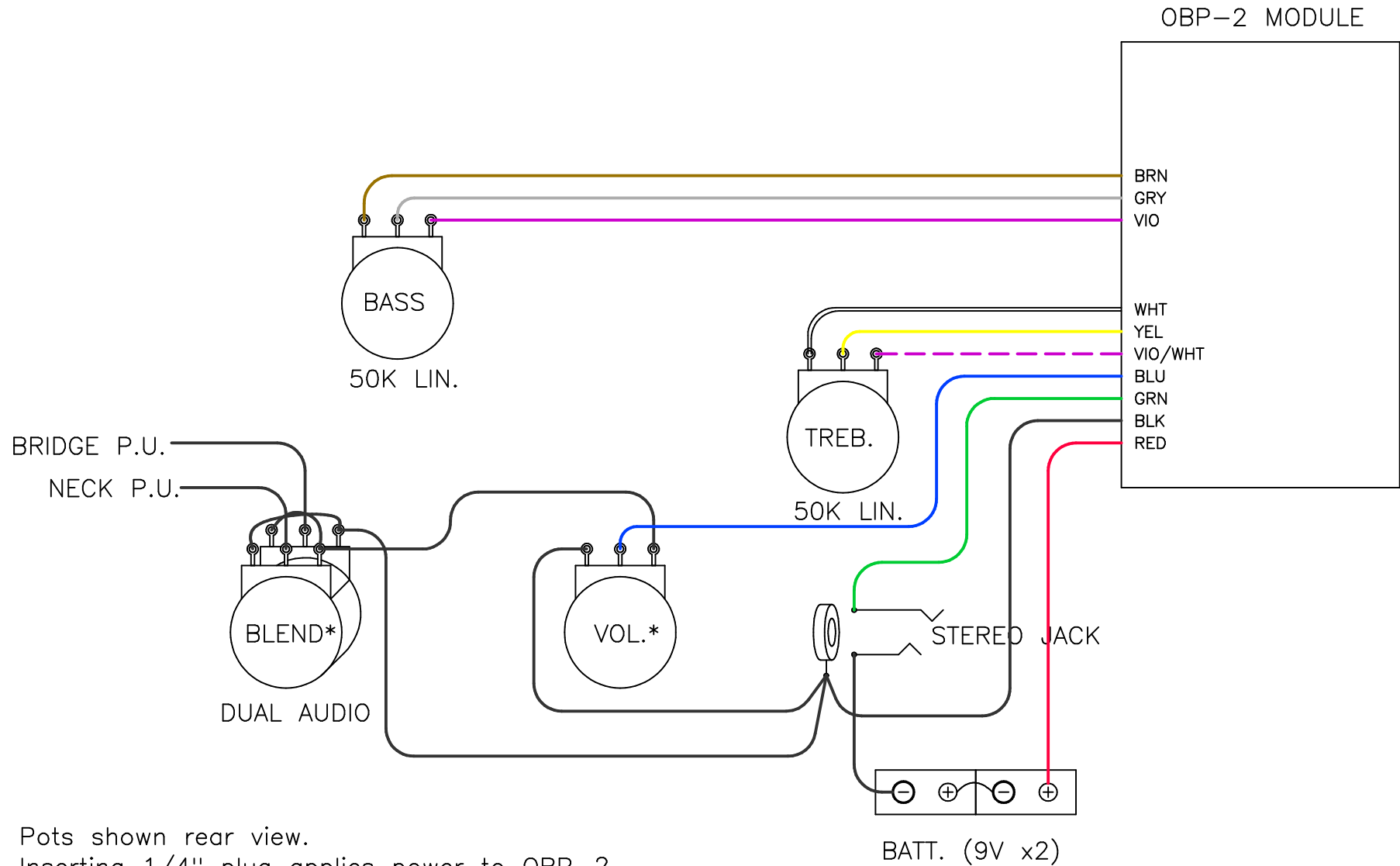


# AGUILAR OBP-2 WIRING DIAGRAM WITH BLEND AND VOLUME CONTROL

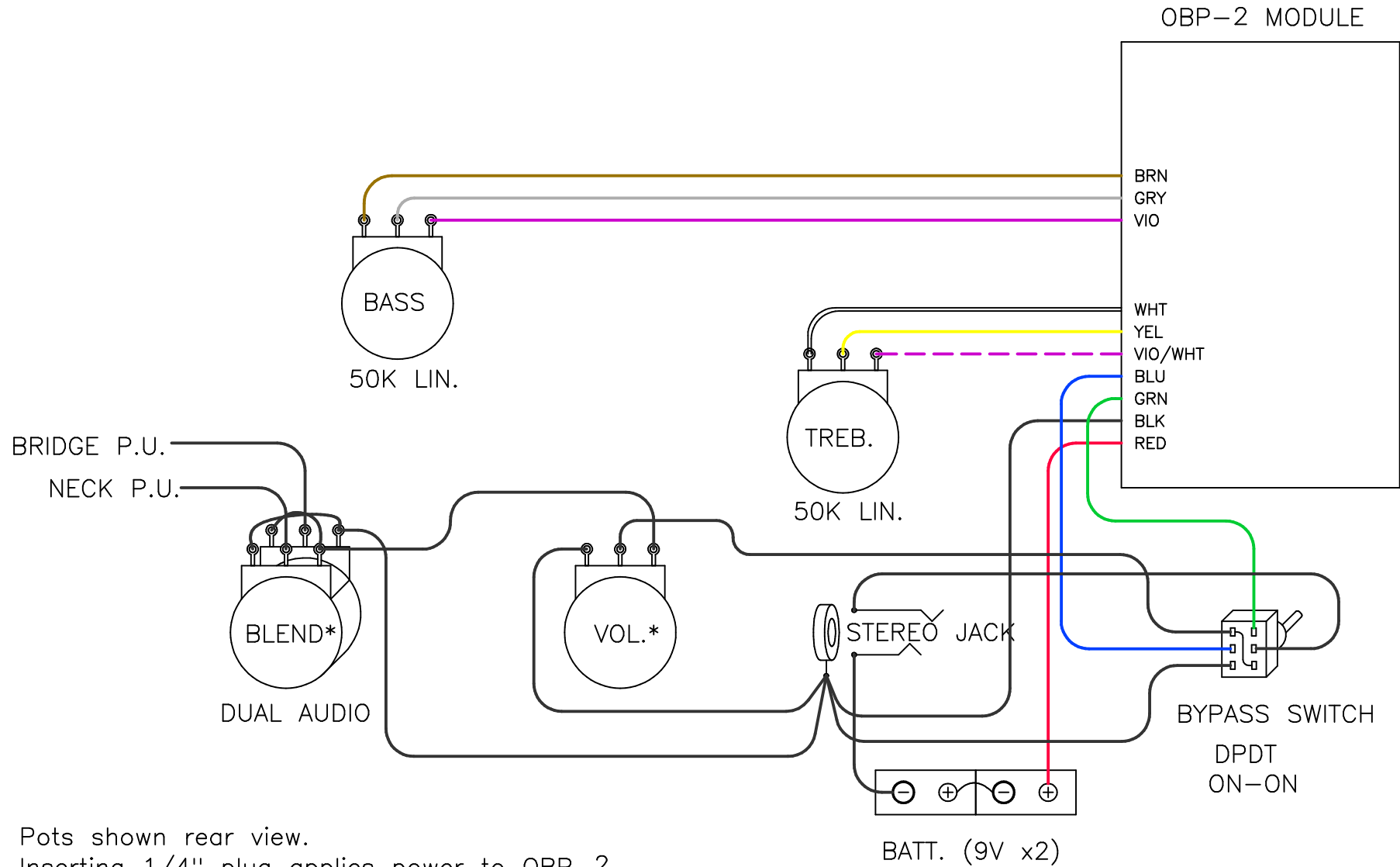


Pots shown rear view.

Inserting 1/4" plug applies power to OBP-2.

\*Value depends on pickups. Use values recommended by pickup manufacturer.  
For single pickup, eliminate blend pot – wire pickup directly to volume pot.

# AGUILAR OBP-2 WIRING DIAGRAM WITH BLEND, VOLUME CONTROL, AND BYPASS SWITCH

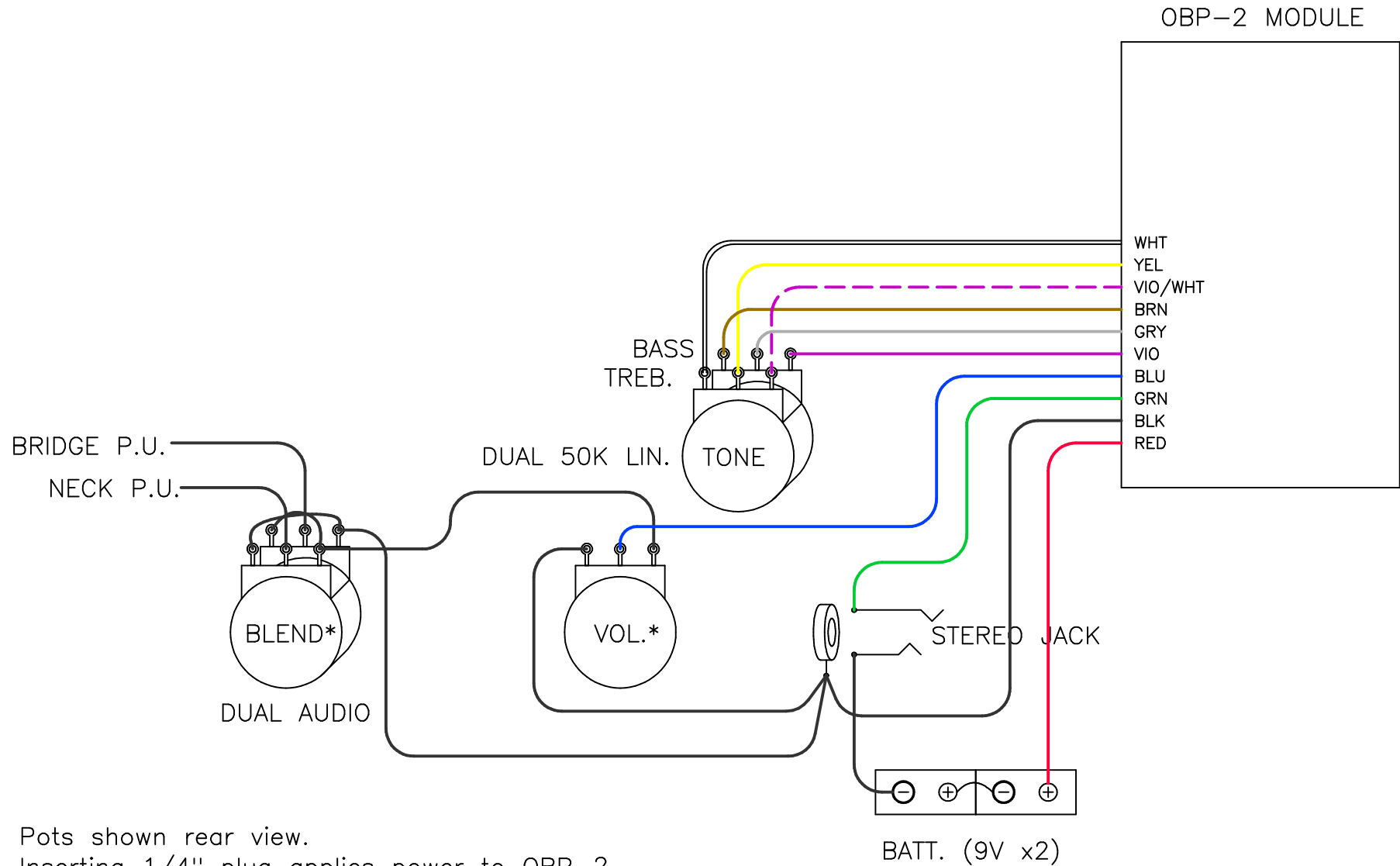


Pots shown rear view.

Inserting 1/4" plug applies power to OBP-2.

\*Value depends on pickups. Use values recommended by pickup manufacturer.  
For single pickup, eliminate blend pot - wire pickup directly to volume pot.

# AGUILAR OBP-2 WIRING DIAGRAM WITH BLEND, VOLUME CONTROL, AND STACKED TONE POT



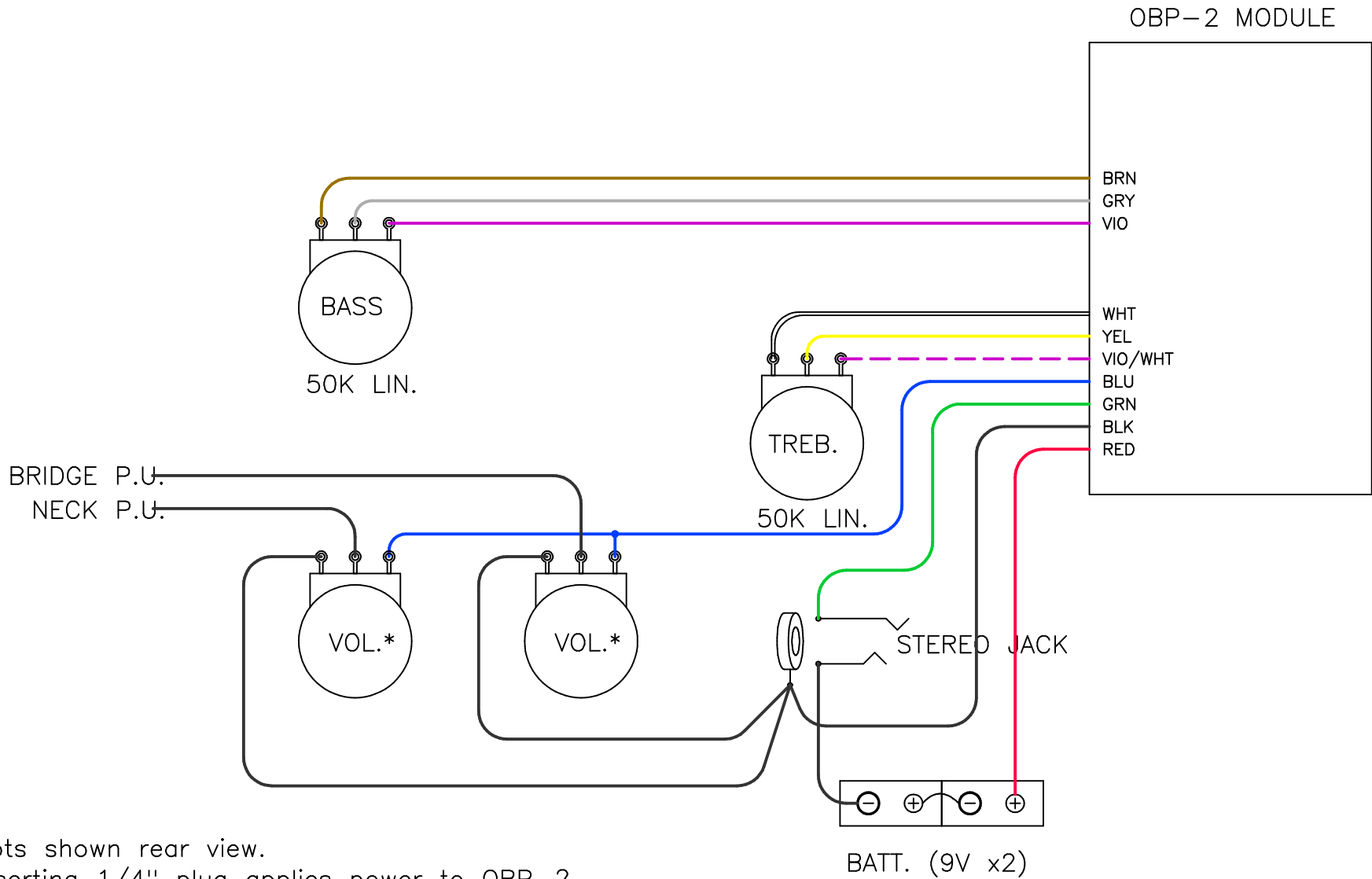
Pots shown rear view.

Inserting 1/4" plug applies power to OBP-2.

\*Value depends on pickups. Use values recommended by pickup manufacturer.

For single pickup, eliminate blend pot – wire pickup directly to volume pot.

# AGUILAR OBP-2 WIRING DIAGRAM WITH TWO VOLUME CONTROLS



Pots shown rear view.

Inserting 1/4" plug applies power to OBP-2.

\*Value depends on pickups. Use values recommended by pickup manufacturer.