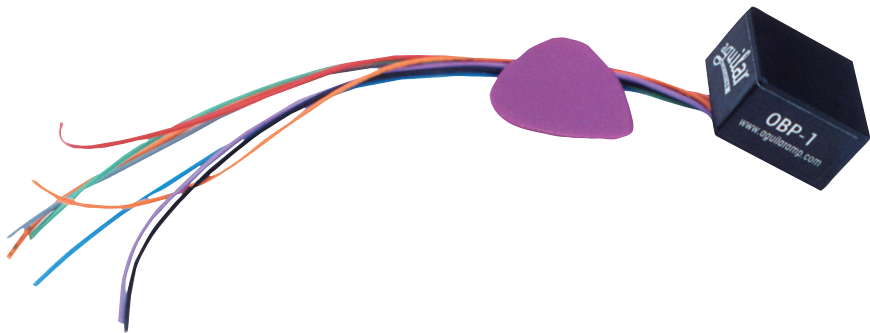


**agUILAR**<sup>®</sup>  
AMPLIFICATION

**OBP-1**

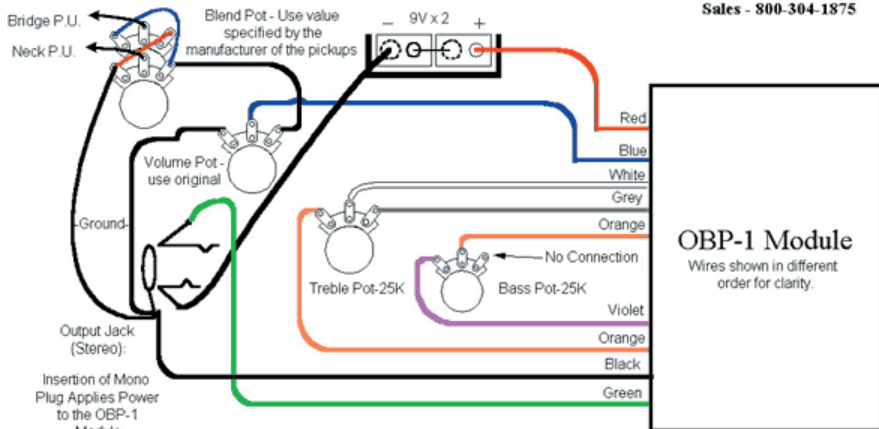
Please select the wiring diagram you need.



## OBP-1 with volume pot and blend control

### OBP-1 Wiring Diagram with Volume Pot and Blend Control

Aguilar Amplification LLC  
599 Broadway 7th FL  
New York, NY 10012  
[www.aguilaramp.com](http://www.aguilaramp.com)  
techsupport@aguilaramp.com  
Support - 212-431-9109  
Sales - 800-304-1875



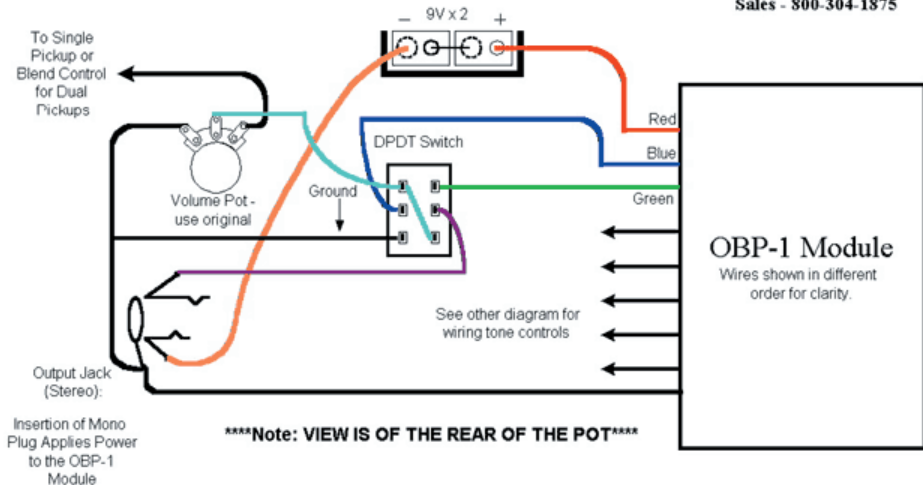
\*\*\*\*Note: VIEW IS OF THE REAR OF POTS\*\*\*\*

\*\*\* It makes no difference which way the orange wires are connected - they are interchangeable \*\*\*

## OBP-1 with on / off switch

### OBP-1 Wiring Diagram with On/Off Switch

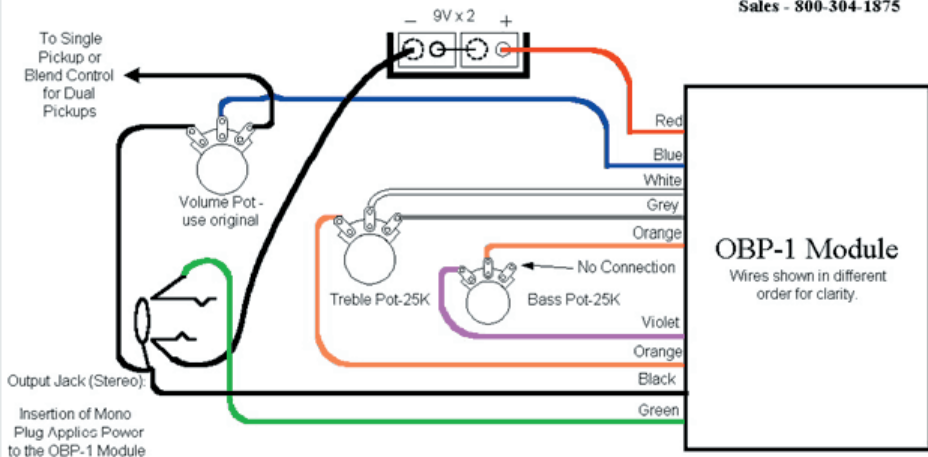
Aguilar Amplification LLC  
599 Broadway 7th Fl.  
New York, NY 10012  
www.aguilaramp.com  
techsupport@aguilaramp.com  
Support - 212-431-9109  
Sales - 800-304-1875



## OBP-1 with volume pot

### OBP-1 Wiring Diagram with Volume Pot

Aguilar Amplification LLC  
599 Broadway 7th Fl.  
New York, NY 10012  
www.aguilaramp.com  
techsupport@aguilaramp.com  
Support - 212-431-9109  
Sales - 800-304-1875



\*\*\*\*Note: VIEW IS OF THE REAR OF POTS\*\*\*\*

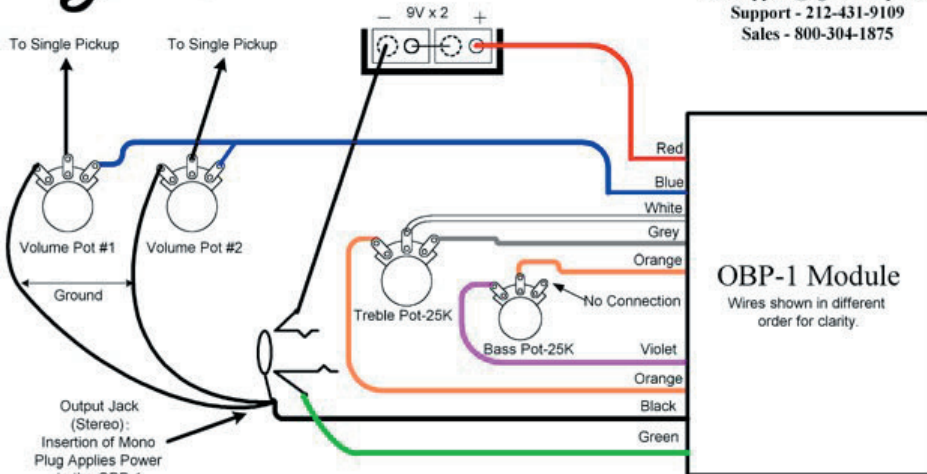
\*\*\* It makes no difference which way the orange wires are connected - they are interchangeable \*\*\*

# OBP-1 with two volume pots



## OBP-1 Wiring Diagram with Two Volume Pots

Aguilar Amplification LLC  
599 Broadway 7th Fl.  
New York, NY 10012  
www.aguilaramp.com  
techsupport@aguilaramp.com  
Support - 212-431-9109  
Sales - 800-304-1875

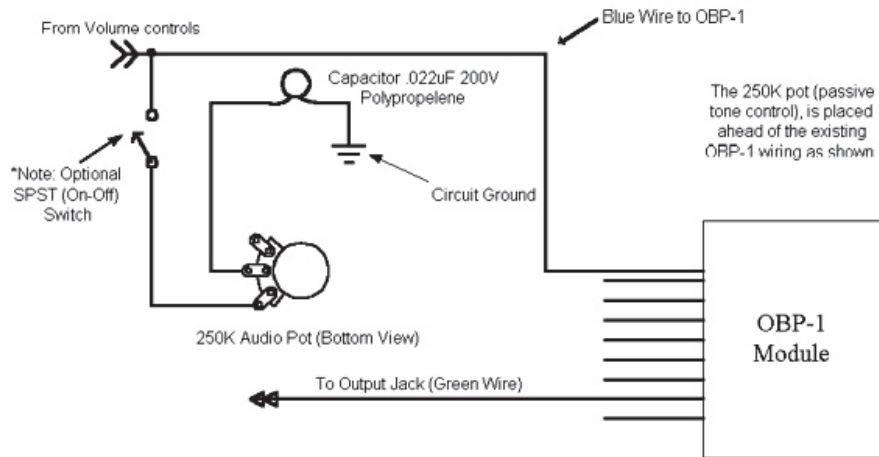


\*\*\*\*Note: VIEW IS OF THE REAR OF POTS\*\*\*\*

\*\*\* It makes no difference which way the orange wires are connected - they are interchangeable \*\*\*

## Adding Passive Tone to OBP-1

### Adding Passive Tone to the OBP-1 Module



The 250K pot (passive tone control), is placed ahead of the existing OBP-1 wiring as shown

- \* If you desire, or if there is no physical room for a passive treble control, you can add an internal 250K trim pot with the capacitor, and use the switch to turn the "tone" control on or off.

Connect all wires from the OBP-1 module as per the wiring diagram